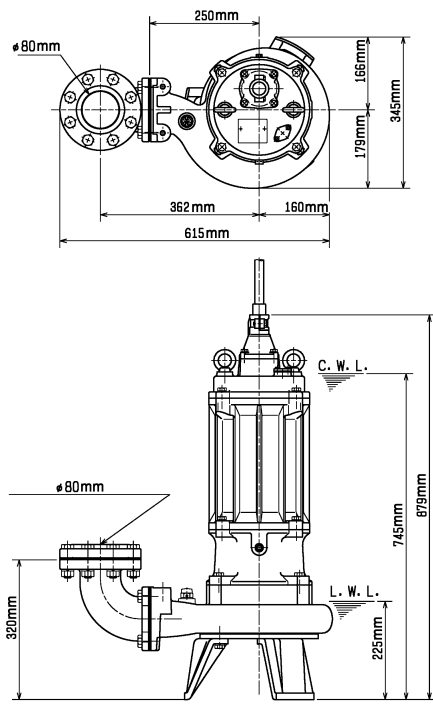
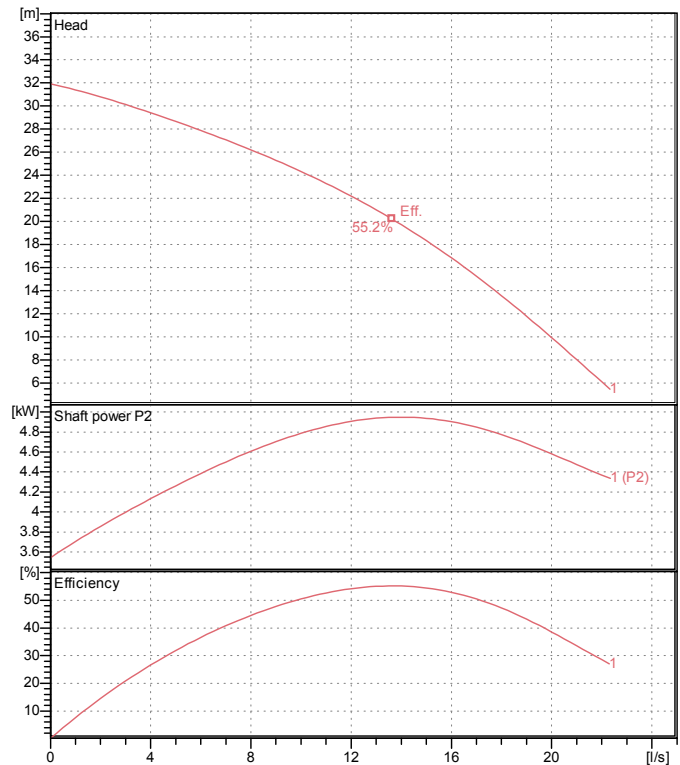


Data sheet 80C25.5-CR-51



80C25.5-CR

CWL: Continuous running water level
LWL: Lowest running water level



Specification

Electric submersible pump
Degree of protection IP 68
Depth of submersion max. 30 m
Type of impeller Dual channel impeller
Free passage 23 mm
Suitable for:
sewage water and liquids carrying solids

Electric motor

Dry-type submersible induction motor
Insulation class F 2Poles 2945 1/min
Starting mode Directly
Rated voltage 400 V 50 Hz 3~
Power uptake 6.93 kW
Rated power 5.50 kW
Rated current 11.6 A
Start current 85.0 A

Cable

10m H07RN-F 4Cx2,5mm²

Motor Protection

Circle thermal protector
(snap-action bi-metal device)

Shaft seal

Double inside mechanical seal in oil bath
additional lubrication by oil lifting device
Primary seal
Silicon carbide on silicon carbide
Secondary seal
Silicon carbide on silicon carbide

Bearings

Shielded ball bearings, maintenance-free

Materials

Impeller
Chromium Iron HiCrFC + Tungsten Carbide
Pump casing FC200 (EN-GJL-200)
Suction cover Chromium Iron HiCrFC
Motor Frame FC200 (EN-GJL-200)
Shaft Stainless steel SUS420J2

Discharge size

3" (80mm) special screwed-in mating flange
guide rail fitting optional

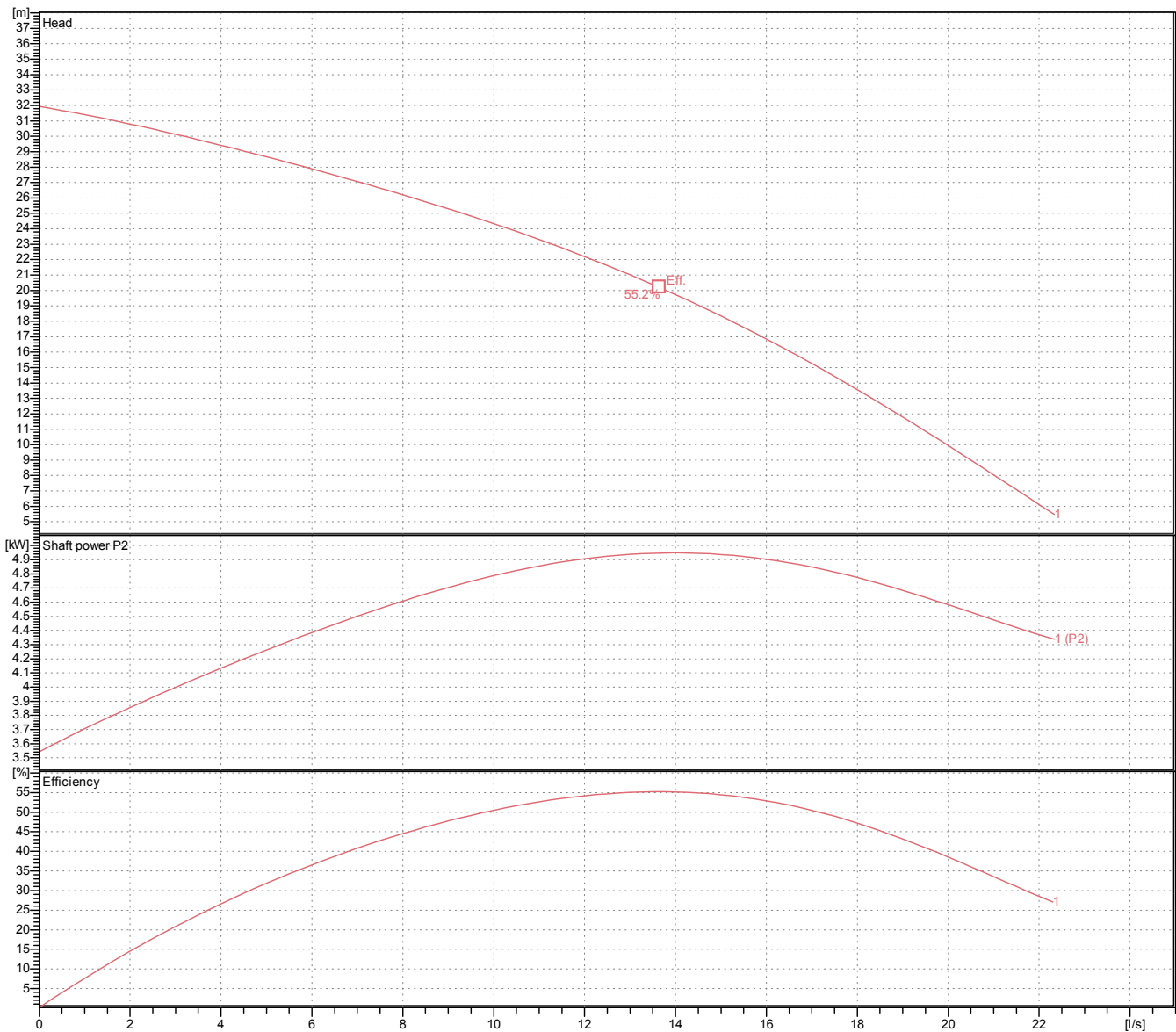
Weight

125 kg (dry weight of the pump only without cable)

Performance curve

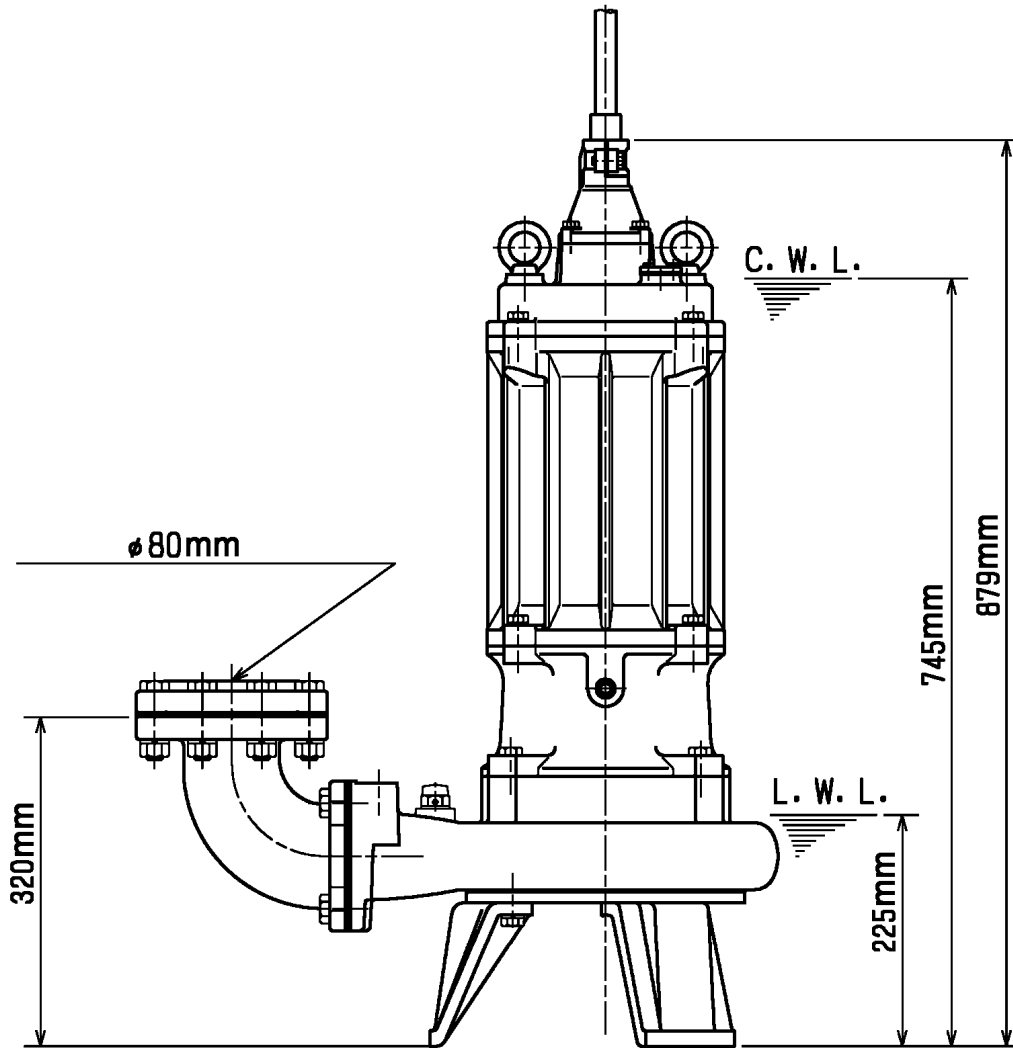
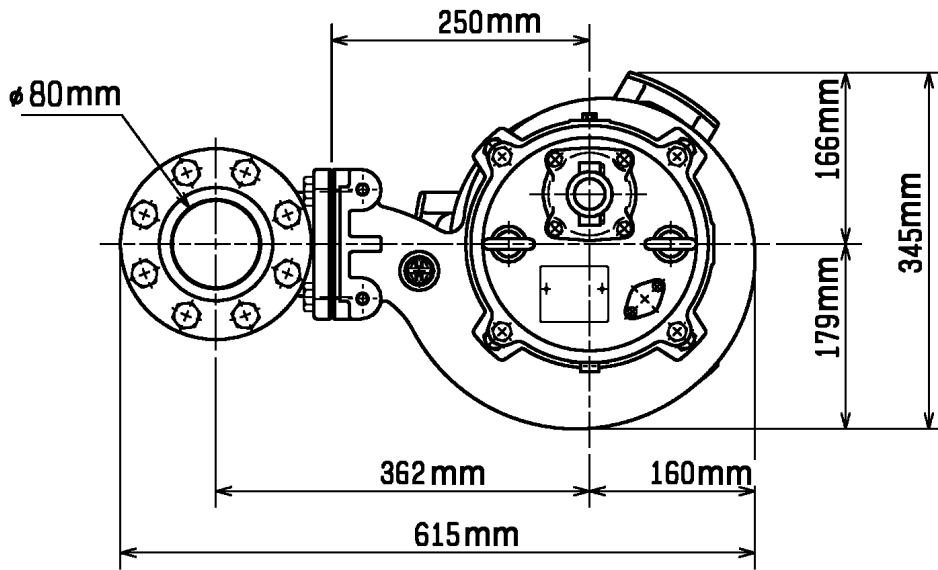
80C25.5-CR-51

Discharge port	3"
Head	31.9 m
Flow	22.3 l/s
Rated power	5.50 kW
Power input	6.93 kW
Phases	3~
Voltages	400 V
Frequency	50 Hz
Rated current	11.6 A
Starting current	85.03 A
Number of poles	2
Speed	2945 1/min
Starting mode	Directly
Insulation class	F



Dimensions

80C25.5-CR-51



80C25.5-CR

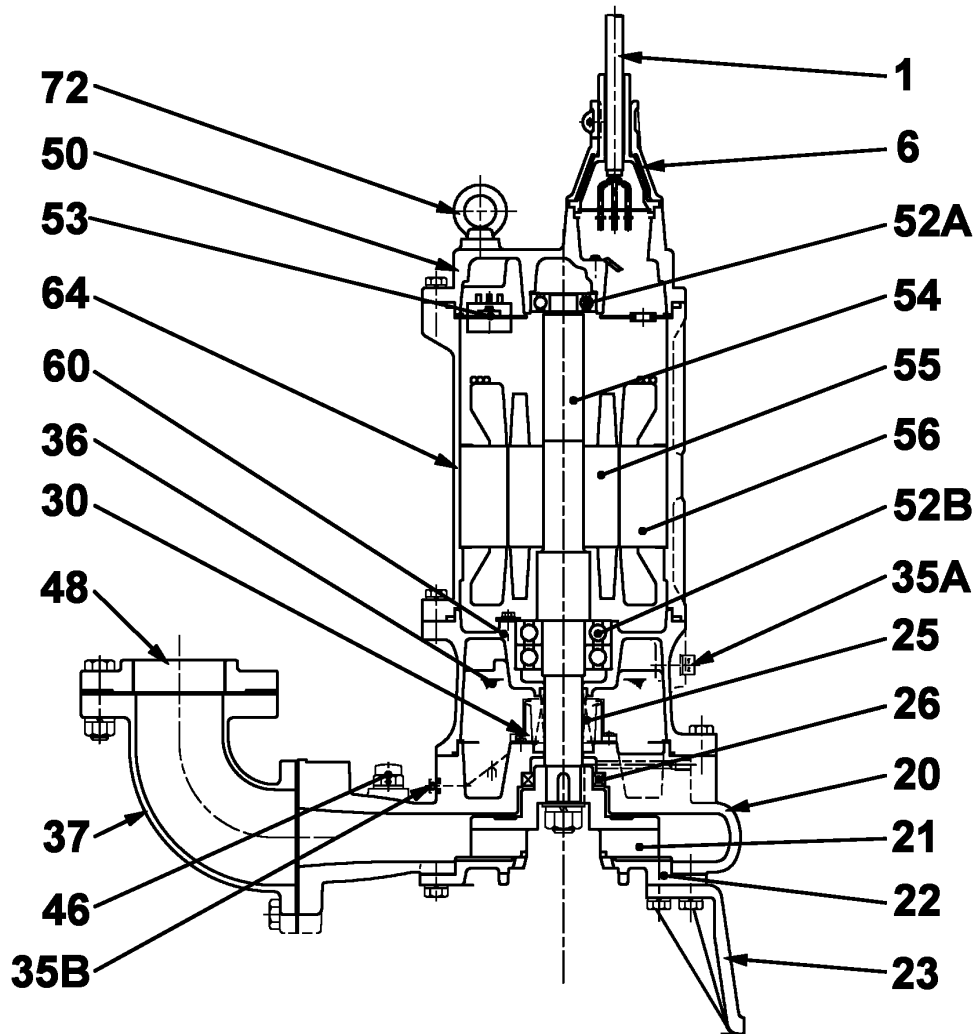
CWL: Continuous running water level
LWL: Lowest running water level



Tsurumi Europe GmbH
24.08.2011

Heltorfer Str. 14 * 40472 Düsseldorf * Germany
Tel.: +49-211-4179373 sales@tsurumi.eu
Fax: +49-211-4791429 www.tsurumi.eu

Sectional drawing 80C25.5-CR-51



80C25.5-CR

No.	Denomination	Remark	No.	Denomination	Remark
1	Cable	H07RN-F	53	Motor Protector	.
6	Stuffing box	FC200 (EN-GJL-200)	54	Shaft	Stainless steel SUS420J2
20	Pump casing	FC200 (EN-GJL-200)	55	Rotor	.
21	Impeller	Chromium Iron HiCrFC + Tungsten Carbide	56	Stator	.
22	Suction cover	Chromium Iron HiCrFC	60	Bearing Housing	FC200 (EN-GJL-200)
23	Stand support (3x)	FC200 (EN-GJL-200)	64	Motor Frame	FC200 (EN-GJL-200)
25	Mechanical seal	H-30	72	Eye screw (2x)	Construction steel SS400
26	Oil seal	TC557812			
35A	Oil screw	Stainless steel SUS304			
35B	Oelschraube.	Stainless steel SUS304			
36	Lubricant	Turbine oil (ISO VG32)			
37	Discharge bend	FC200 (EN-GJL-200)			
46	Air vent screw	Nylon			
48	Screwed Flange	FC200 (EN-GJL-200)			
52A	Upper bearing	6305ZZC3			
52B	Lower bearing	6308ZZD2C3			